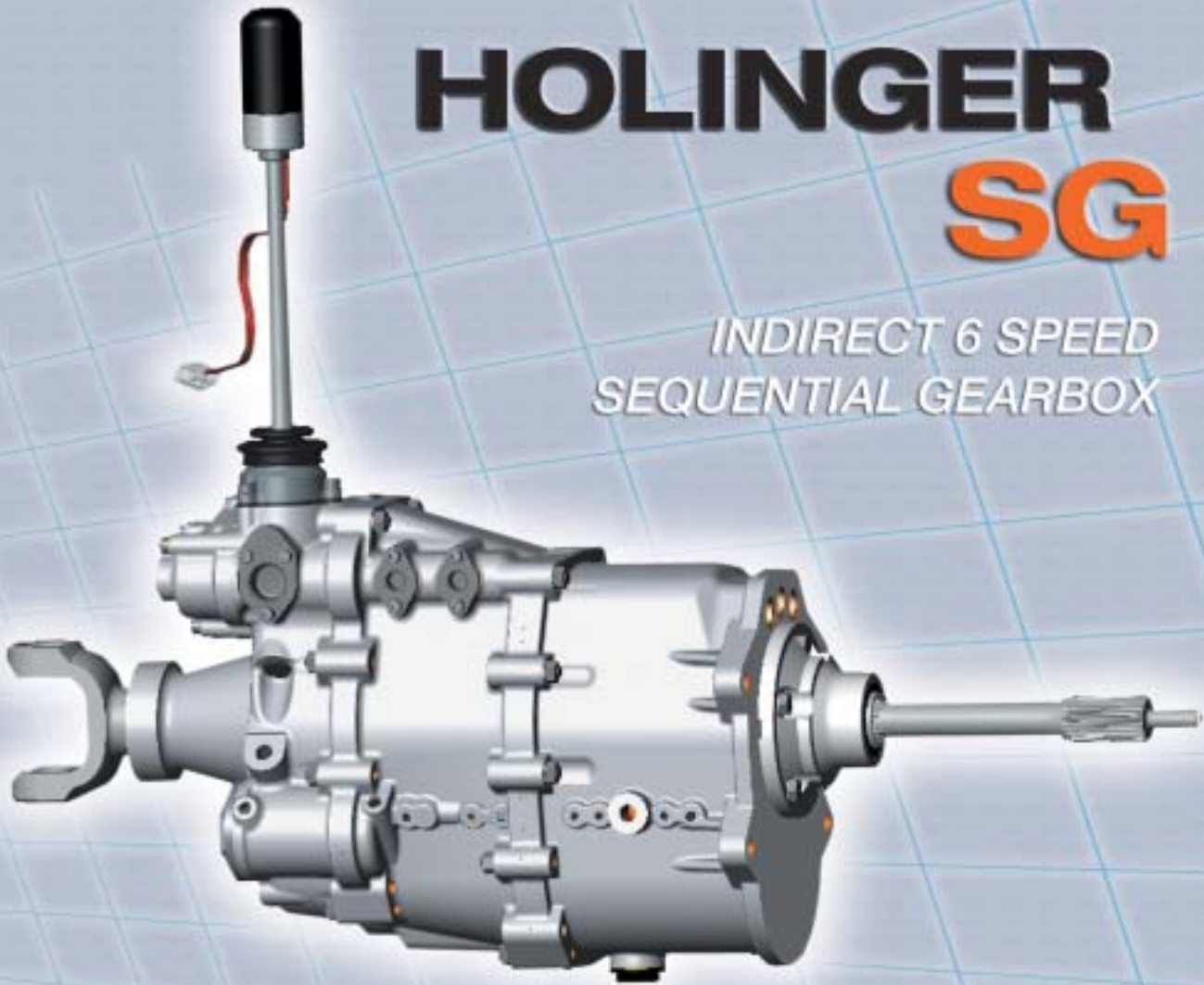


# HOLINGER

# SG

## INDIRECT 6 SPEED SEQUENTIAL GEARBOX

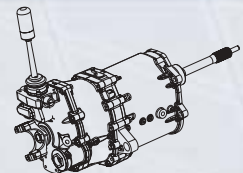


### FEATURES:

- Sequential shift gearbox designed for use in front engine, rear wheel drive racecars.
- Torque rating for endurance events is 365Nm (270ft.lb).
- The gearbox is fitted with 6 indirect forward gears, reverse gear and a set of drop gears.
- The internal lubrication system consists of magnetic / paper element filter, an oil pump with ports for connection to external oil cooler and integral spray bar to feed cooled oil directly onto the gears.
- All gears are removable from shafts with an extensive range of ratios available.
- Input is via a removable quill shaft.
- Output available in fixed flange or slip yoke configurations.
- Quill shaft and fixed flange can be customised to suit requirements.
- An electronic gear position sensor is supplied for interfacing with an electronic dash display. A stand alone gear indicator is available for cars not fitted with an electronic dash.
- Case hardened nickel chrome steel is used for all gears and shafts.
- The selector forks are high tensile, nitrided steel.
- Casings are cast LM25 aluminium alloy, heat treated to T6 specifications.
- O-ring seals are used on all joint faces.
- Clutch splines are normally 1 1/8" x 26 spline, 24/48DP, 30 deg P.A. Alternative clutch splines are available to customer specification.
- Also available with profile ground gears, for increased efficiency and durability.
- Gearbox weight is 30kg (66lbs).

### HOLINGER ENGINEERING CO. PTY LTD.

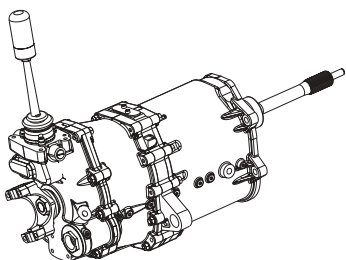
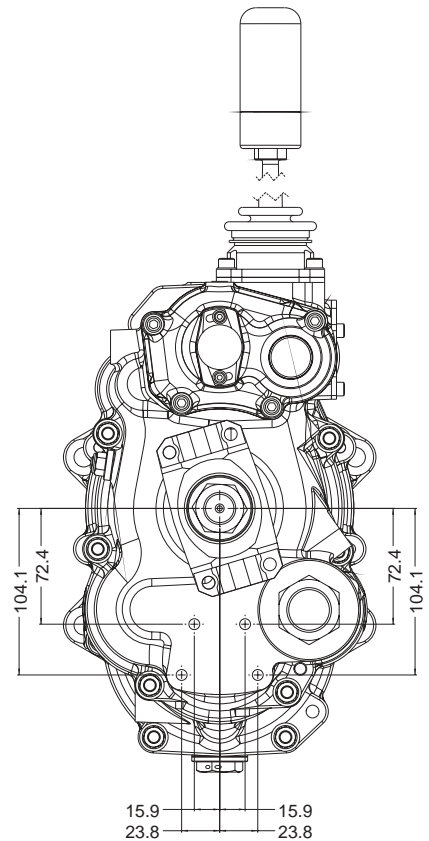
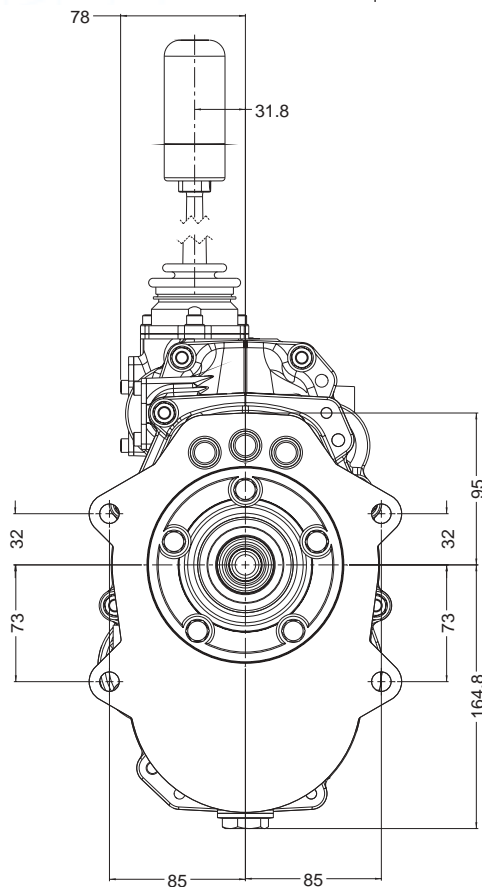
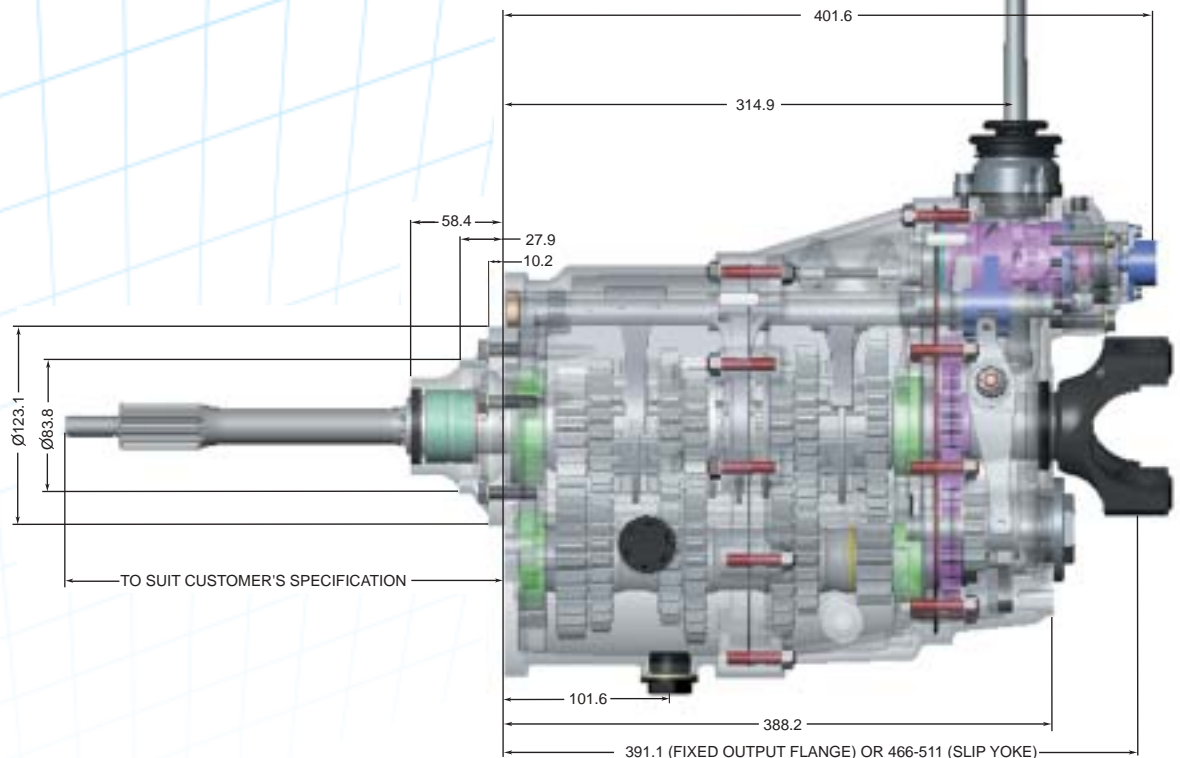
29 Research Drive, Croydon South, Vic, 3136, Australia  
Phone Number: +61 3 9761 7964 Fax Number: +61 3 9761 7965  
Email: enquiries@holinger.com.au Website: www.holinger.com.au



**HOLINGER**  
ENGINEERING  
Racccas Gearbox Manufacturers

# HOLINGER SG

## INDIRECT 6 SPEED SEQUENTIAL GEARBOX



**HOLINGER**  
**ENGINEERING**  
Racccar Gearbox Manufacturers

**HOLINGER ENGINEERING CO. PTY LTD.**

29 Research Drive, Croydon South, Vic, 3136, Australia  
Phone Number: +61 3 9761 7964 Fax Number: +61 3 9761 7965  
Email: [enquiries@holinger.com.au](mailto:enquiries@holinger.com.au) Website: [www.holinger.com.au](http://www.holinger.com.au)